

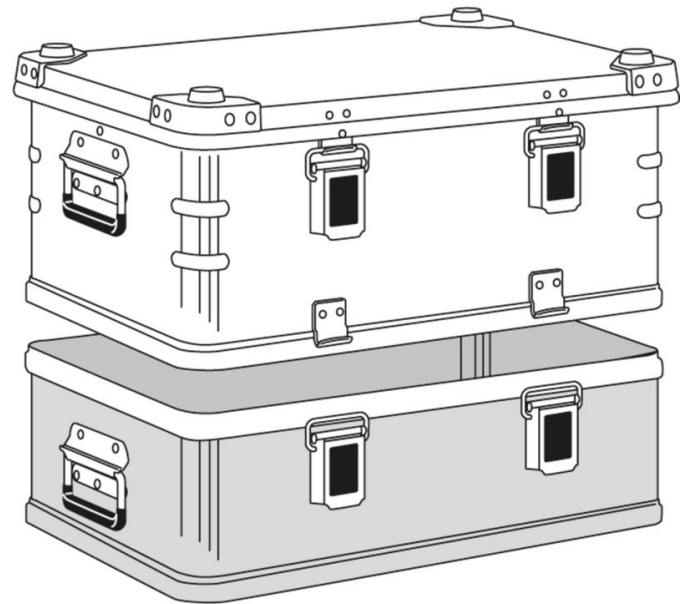


K 470 Plus shipping case - hood-type container - 40501

With the K470 Plus, ZARGES is following an innovative packaging concept: a two-part transportation system, comprising an upper and a lower section. This allows you to combine elements of different heights, creating a whole new range of possibilities.

Product description

- A two-part transportation system consisting of a top and bottom section.
- The bottom part is available in two base dimensions and can be flexibly combined with top sections of different heights.
- Easy and ergonomic access to the contents via the lid or by removing the top part. This allows the contents to be easily lifted out and devices to be operated whilst they are inside the container.
- Stackable with products in the K 470 series.
- Customised versions available on request.
- Removable top section and lid with peripheral seal.
- Lid with stainless steel hinges and all-round foamed seal.
- 2 basic dimensions (550 x 350 mm and 750 x 550 mm) available as standard, special sizes available on request.
- Depending on height, beading all round and corner beading for extra stability of form.
- Stackable aluminium universal container.
- Stacking corners made from diecast aluminium ensure safe stacking.
- Profile-section joints fully welded.
- Snap fasteners: can be secured with a plug lock, lead seals, protection against bursting open or a padlock (max. shackle thickness 6 mm).
- Clearance measurement approx. 30mm (1.2") less





than internal dimension (length and width). Special sizes on request.

- ZARGES Comfort handles for ergonomic handling and loads of up to 50 kg.
- ZARGES Comfort fastener for ergonomic operation and an extremely long service life.

Hints and special features

Bottom section.

Can only be used together with the top section.

Product features

Colour of the stacking corners Natural aluminium	Corner beading Yes	Description Top section: Total height with bottom section 150 mm: 370 mm	Fasteners Comfort fasteners	Handles Sprung drop handles
Integrated wheels No	Internal dimensions L x W x H 550 mm x 350 mm x 230 mm	Material Aluminium	Material of the stacking corners Aluminium	Outside dimensions max. L x W x H 600 mm x 400 mm x 250 mm
Peripheral beading No	Seal foamed lid seal	Stacking corners Yes	Volume 42 l	Weight 4 kg