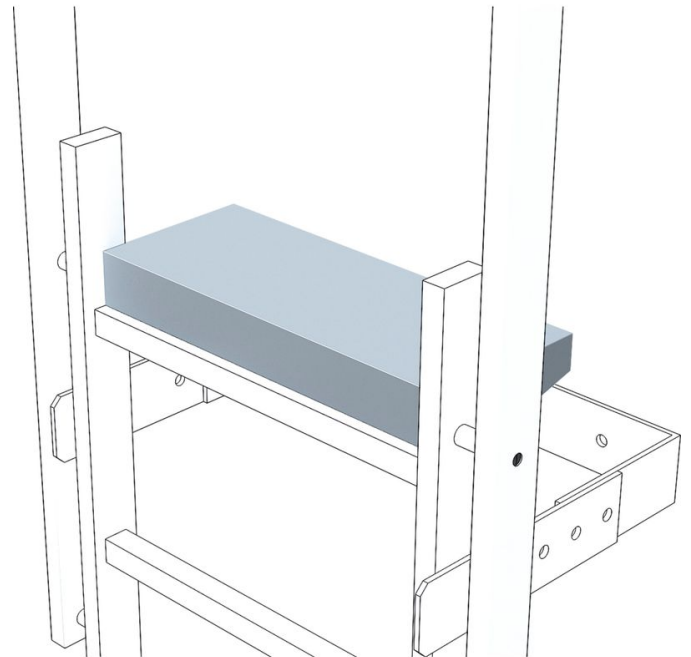




Exit step - 43285

Product description

- For extending the area of the top rung.
- Tread width: 520 mm.
- Tread depth: 150 mm or 200 mm.



Product features

Depth	Material	Warranty	Weight
200 mm	Steel, galvanised	10 years	4.4 kg