



# Wall bracket, adjustable - 47316

## Product description

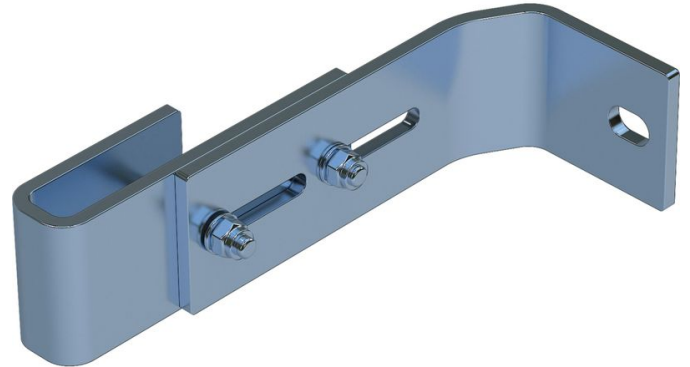
- Adjustable for wall clearances from 150 mm to 190 mm.
- 1 set = 2 pieces.

## Hints and special features

2 sets of wall brackets are required for ladders with 4–9 rungs, 3 sets of wall brackets for ladders with 10–15 rungs, 5 sets of wall brackets for ladders with 16–24 rungs.

1 set = 2 pieces (right/left).

Attachment materials (dowels etc.) are not included in the scope of delivery.



## Product features

Material	Suitable for	Warranty	Weight
<b>Stainless steel</b>	<b>GRP ladder</b>	<b>10 years</b>	<b>0.9 kg</b>