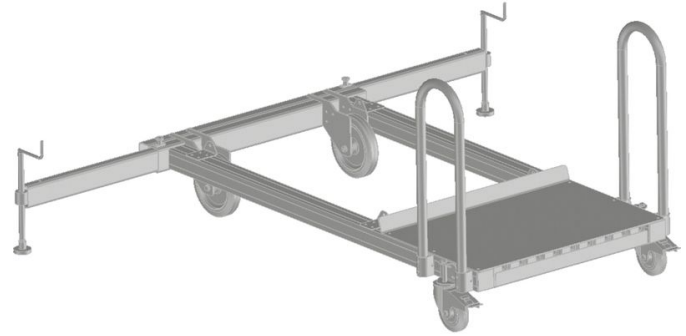




Mandatory module - chassis - 591011

Product description

- Two variants with sliding handles available:
- Standard chassis with rigid stabiliser. Mobile on 2 swivel and 2 braked fixed castors.
- Chassis with extendable height-adjustable stabiliser (adjustment range 200 mm) for optimum stability and levelling out uneven floor/ground surfaces. Mobile on 2 swivel and 2 braked fixed castors.



Product features

Transport dimensions	Version	Weight
2.370 mm × 1.200 mm × 1.025 mm	Chassis with extendible stabiliser suitable for fitting spindles	279.6 kg