



Wall bracket, adjustable

Product description

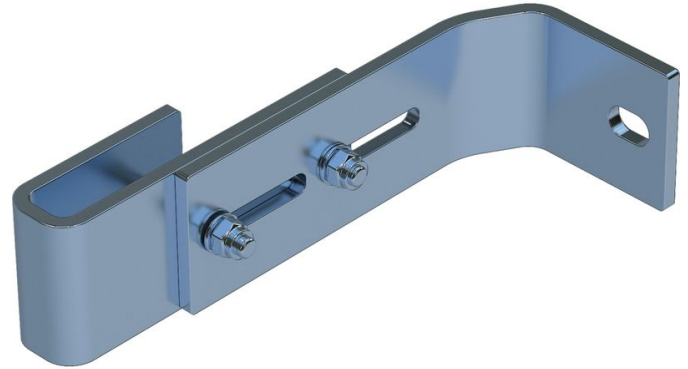
- Adjustable for wall clearances from 150 mm to 190 mm.
- 1 set = 2 pieces.

Hints and special features

2 sets of wall brackets are required for ladders with 4–9 rungs, 3 sets of wall brackets for ladders with 10–15 rungs, 5 sets of wall brackets for ladders with 16–24 rungs.

1 set = 2 pieces (right/left).

Attachment materials (dowels etc.) are not included in the scope of delivery.



Product features

Warranty	Weight
10 years	0.9 kg

Product variants

SKU 47314	SKU 47315	SKU 47316
Material Galvanised steel	Material Stainless steel	Material Stainless steel
Suitable for Steel ladder	Suitable for V4A ladder	Suitable for GRP ladder