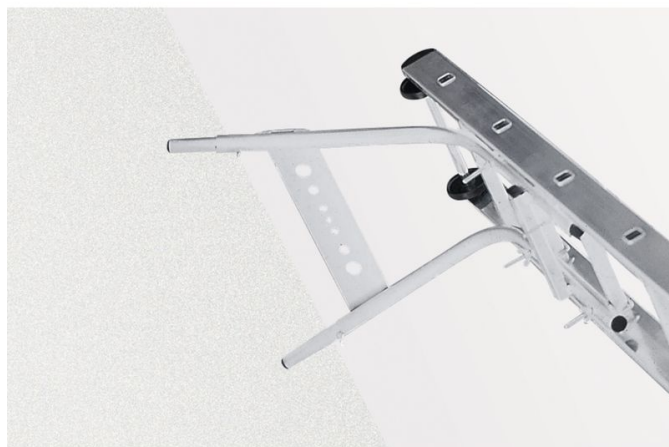


# Stand-off bracket with tool tray - 40100

## Product description

- For ladders with rungs.
- Stand-off max. 68 cm, min. 50 cm, adjustable every 3 cm.



## Product features

Material	Galvanised steel.
Warranty	Missing translation

<p>ZARGES GmbH</p> <p>Zargesstraße 7</p> <p>82362 Weilheim</p>	<p>Tel: +49 (0)881-687-100</p> <p>Fax: +49 (0)881-687-500</p> <p>zarges@zarges.de</p>	<p>www.zarges.com</p> <p>Effective 6/18/2026</p> <p>Subject to change or error.</p>
--	---	---