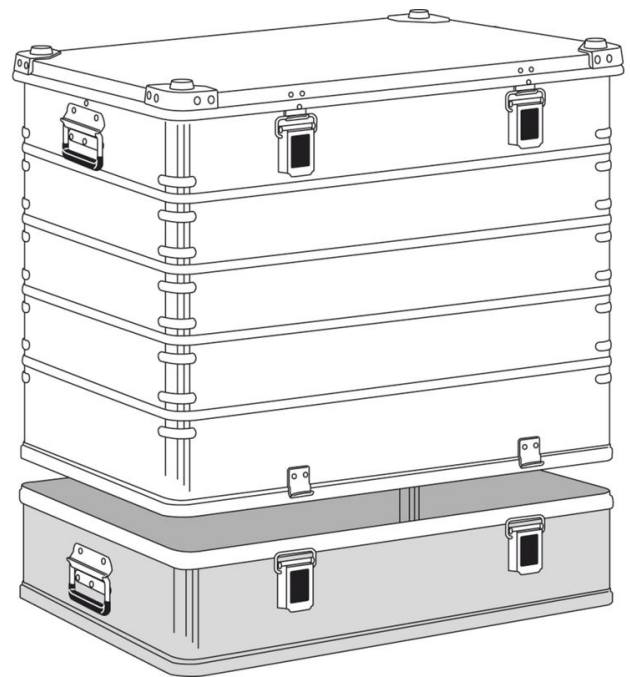


# K 470 Plus shipping case - hood-type container - 40506

With the K 470 Plus, ZARGES is following an innovative packaging concept: a two-part transportation system, comprising an upper and a lower section. This allows you to combine elements of different heights, creating a whole new range of possibilities.

## Product description

- A two-part transportation system consisting of a top and bottom section.
- The bottom part is available in two base dimensions and can be flexibly combined with top sections of different heights.
- Easy and ergonomic access to the contents via the lid or by removing the top part. This allows the contents to be easily lifted out and devices to be operated whilst they are inside the container.
- Stackable with products in the K 470 series.
- Customised versions available on request.
- Removable top section and lid with peripheral seal.
- Lid with stainless steel hinges and all-round foamed seal.
- 2 basic dimensions (550 x 350 mm and 750 x 550 mm) available as standard, special sizes available on request.
- Depending on height, beading all round and corner beading for extra stability of form.
- Stackable aluminium universal container.





- Stacking corners made from diecast aluminium ensure safe stacking.
- Profile-section joints fully welded.
- Snap fasteners: can be secured with a plug lock, lead seals, protection against bursting open or a padlock (max. shackle thickness 6 mm).
- Clearance measurement approx. 30mm (1.2") less than internal dimension (length and width). Special sizes on request.
- ZARGES Comfort handles for ergonomic handling and loads of up to 50 kg.
- ZARGES Comfort fastener for ergonomic operation and an extremely long service life.

## Hints and special features

Top section.

Can only be used together with the bottom section.

## Product features

Colour of the stacking corners	Natural aluminium
Corner beading	Yes
Description	Top section: Total height 730 and 800 mm respectively
Fasteners	Comfort fasteners
Handles	Sprung drop handles
Integrated wheels	No
Internal dimensions L x W x H	750 mm x 550 mm x 590 mm
Material	Aluminium
Material of the stacking corners	Aluminium



Outside dimensions max. L x W x H 800 mm x 600 mm x 610 mm

Peripheral beading Yes

Seal foamed lid seal

Stacking corners Yes

Volume 240 l

Weight 10.5 kg

ZARGES GmbH

Zargesstraße 7

82362 Weilheim

Tel: +49 (0)881-687-100

Fax: +49 (0)881-687-500

zarges@zarges.de

[www.zarges.com](http://www.zarges.com)

Effective 5/6/2026

Subject to change or error.