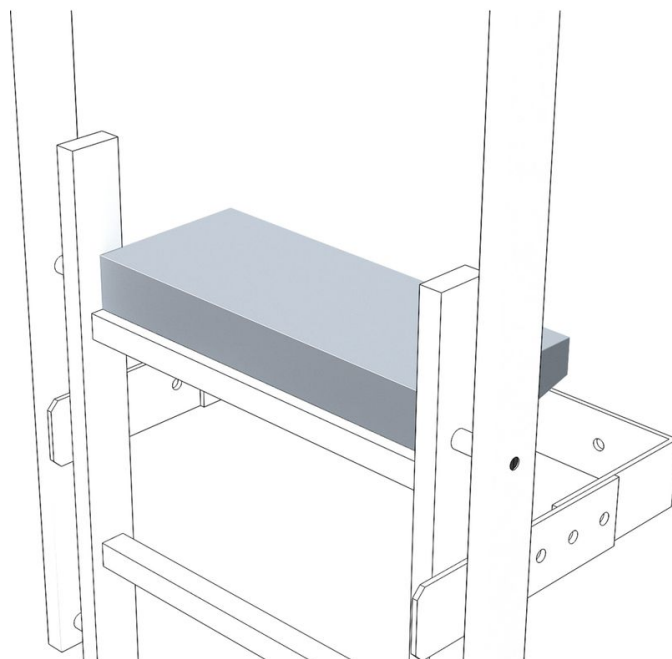


Exit step - 43284

Product description

- For extending the area of the top rung.
- Step width: 470 mm.
- Tread depth: 150 mm or 200 mm.



Product features

Depth	150 mm
Material	Steel, galvanised
Warranty	10 years
Weight	2.8 kg

ZARGES GmbH

Zargesstraße 7

82362 Weilheim

Tel: +49 (0)881-687-100

Fax: +49 (0)881-687-500

zarges@zarges.de

www.zarges.com

Effective 6/15/2026

Subject to change or error.