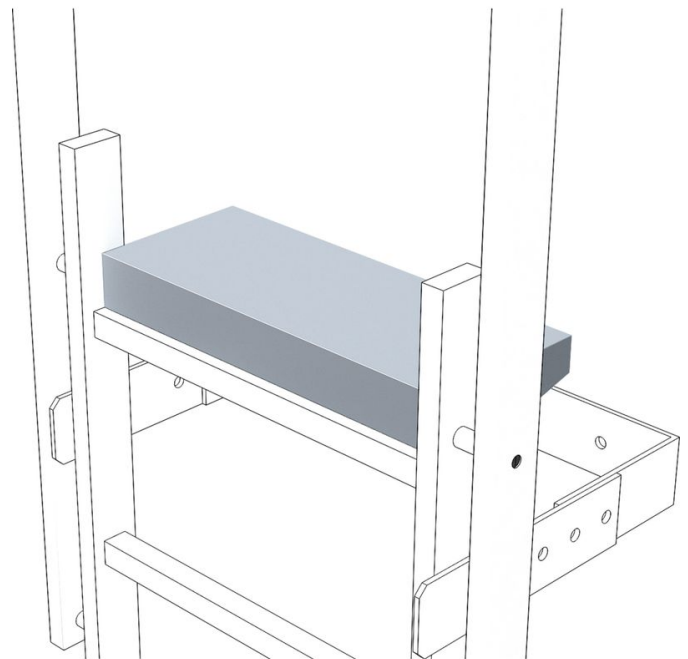


## Exit step - 43285

### Product description

- For extending the area of the top rung.
- Step width: 470 mm.
- Tread depth: 150 mm or 200 mm.



### Product features

Depth	200 mm
Material	Steel, galvanised
Warranty	10 years
Weight	4.4 kg

ZARGES GmbH

Zargesstraße 7

82362 Weilheim

Tel: +49 (0)881-687-100

Fax: +49 (0)881-687-500

zarges@zarges.de

[www.zarges.com](http://www.zarges.com)

Effective 6/15/2026

Subject to change or error.