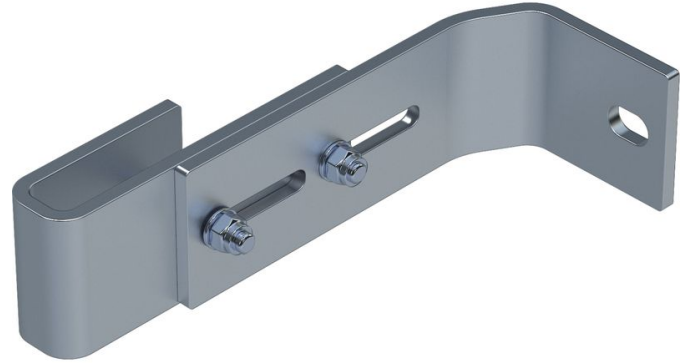


# Wall bracket, adjustable - 47314

## Product description

- Adjustable for wall clearances from 150 mm to 190 mm.
- 1 set = 2 pieces.



## Hints and special features

2 sets of wall brackets are required for ladders with 4–9 rungs, 3 sets of wall brackets for ladders with 10–15 rungs, 5 sets of wall brackets for ladders with 16–24 rungs.

1 set = 2 pieces (right/left).

Attachment materials (dowels etc.) are not included in the scope of delivery.

## Product features

Material	Galvanised steel
Suitable for	Steel ladder
Warranty	10 years
Weight	0.9 kg

ZARGES GmbH

Zargesstraße 7

82362 Weilheim

Tel: +49 (0)881-687-100

Fax: +49 (0)881-687-500

zarges@zarges.de

www.zarges.com

Effective 6/28/2026

Subject to change or error.