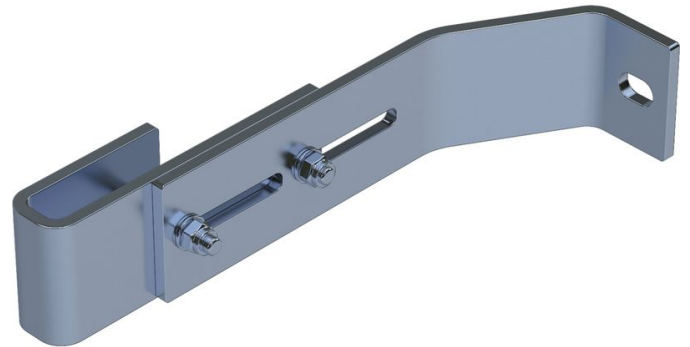


# Wall bracket, adjustable -

## 47611

### Product description

- Adjustable for stand-off 200 - 250 mm.
- 1 set = 2 pieces.



### Hints and special features

2 sets of wall brackets are required for ladders with 4–9 rungs, 3 sets of wall brackets for ladders with 10–15 rungs, 5 sets of wall brackets for ladders with 16–24 rungs.

1 set = 2 pieces (right/left).

Attachment materials (dowels etc.) are not included in the scope of delivery.

### Product features

Material	stainless steel
Suitable for	GRP ladder
Warranty	10 years
Weight	1.6 kg

ZARGES GmbH

Zargesstraße 7

82362 Weilheim

Tel: +49 (0)881-687-100

Fax: +49 (0)881-687-500

zarges@zarges.de

www.zarges.com

Effective 5/31/2026

Subject to change or error.