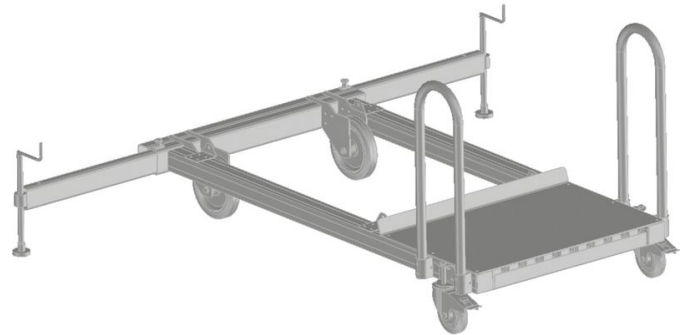


Mandatory module - chassis - 591011

Product description

- Two variants with sliding handles available:
- Standard chassis with rigid stabiliser. Mobile on 2 swivel and 2 braked fixed castors.
- Chassis with extendable height-adjustable stabiliser (adjustment range 200 mm) for optimum stability and levelling out uneven floor/ground surfaces. Mobile on 2 swivel and 2 braked fixed castors.



Product features

Transport dimensions	2.370 mm × 1.200 mm × 1.025 mm
Version	Chassis with an extendable, swiveling crossbar
Weight	279.6 kg

ZARGES GmbH

Zargesstraße 7

82362 Weilheim

Tel: +49 (0)881-687-100

Fax: +49 (0)881-687-500

zarges@zarges.de

www.zarges.com

Effective 6/17/2026

Subject to change or error.