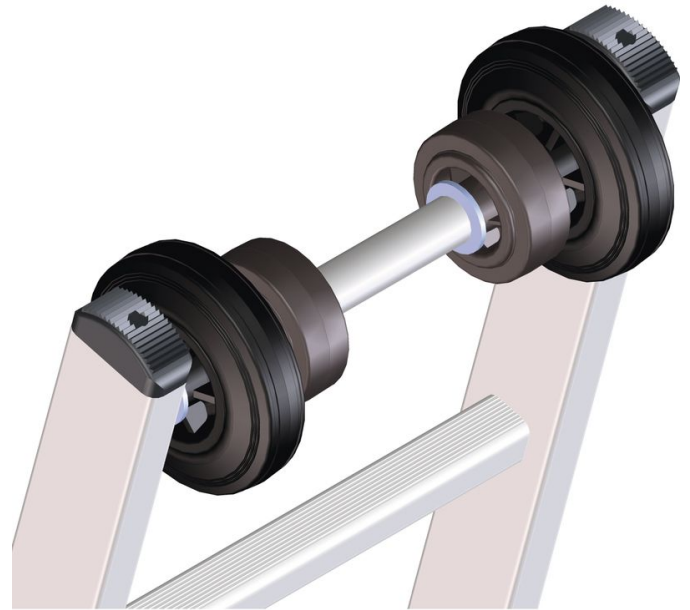


Mast wheel assembly - 8505

Product description

- Suitable for single ladders, push-up and rope-operated ladders. Ladders are equipped with rollers specially adjusted to poles, allowing easy positioning and set-up. Suitable for poles of \varnothing 150 mm to \varnothing 400 mm.



Hints and special features

To meet your specific requirements, we offer a range of optional accessories which we professionally fit on your ladder during series production.

When ordering, state the article numbers for both the ladder and the optional special equipment.

Product features

Description	Mast wheel assembly for aluminium ladders	
Warranty	Missing translation	
ZARGES GmbH Zargesstraße 7 82362 Weilheim	Tel: +49 (0)881-687-100 Fax: +49 (0)881-687-500 zarges@zarges.de	www.zarges.com Effective 6/28/2026 Subject to change or error.