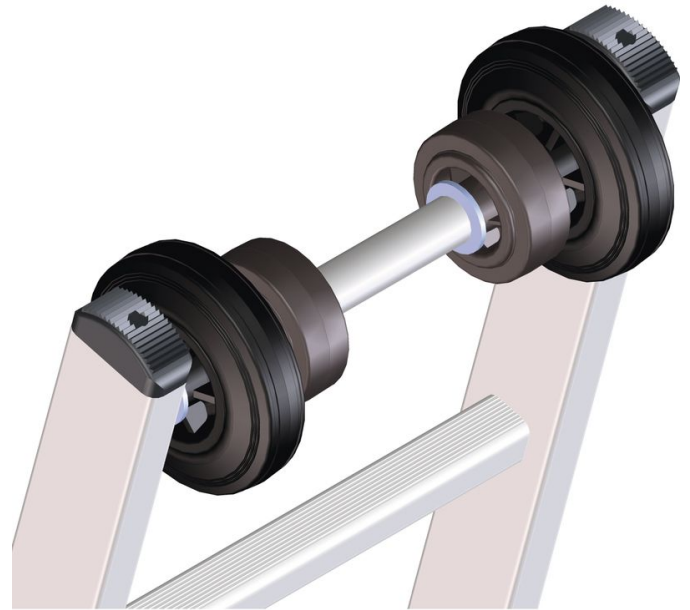


# Mast wheel assembly

## Product description

- Suitable for single ladders, push-up and rope-operated ladders. Ladders are equipped with rollers specially adjusted to poles, allowing easy positioning and set-up. Suitable for poles of  $\phi$  150 mm to  $\phi$  400 mm.



## Hints and special features

To meet your specific requirements, we offer a range of optional accessories which we professionally fit on your ladder during series production.

When ordering, state the article numbers for both the ladder and the optional special equipment.

## Product features

|          |                     |
|----------|---------------------|
| Warranty | Missing translation |
|----------|---------------------|

## Product variants

|             | 8505                                      | 8506                                    |
|-------------|---|---|
| Description | Mast wheel assembly for aluminium ladders | Mast wheel assembly for plastic ladders |

|  |   |   |
|--|---|---|
| <p>ZARGES GmbH</p> <p>Zargesstraße 7</p> <p>82362 Weilheim</p> | <p>Tel: +49 (0)881-687-100</p> <p>Fax: +49 (0)881-687-500</p> <p>zarges@zarges.de</p> | <p>www.zarges.com</p> <p>Effective 6/28/2026</p> <p>Subject to change or error.</p> |
|--|---|---|