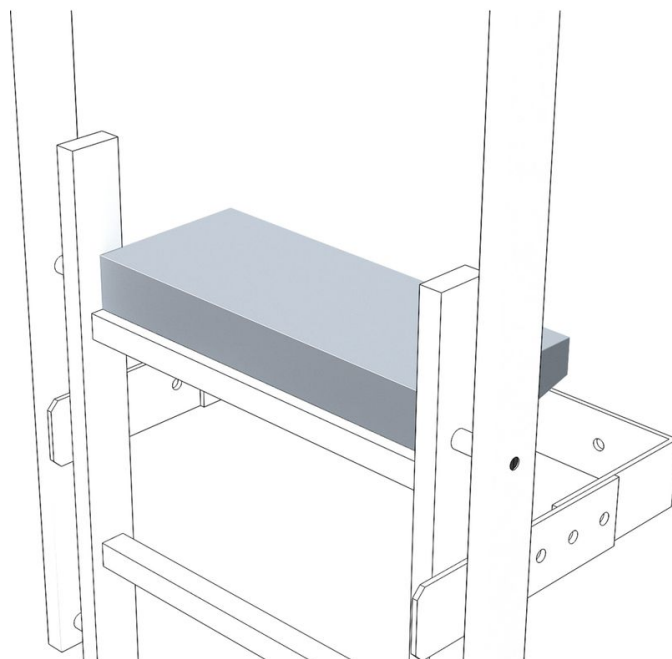


Exit step

Product description

- For extending the area of the top rung.
- Step width: 470 mm.
- Tread depth: 150 mm or 200 mm.



Product features

Warranty	10 years
----------	----------

Product variants

	40945	43284	44254	43285
Depth	150 mm	150 mm	150 mm	200 mm
Material	Aluminium	Steel, galvanised	stainless steel	Steel, galvanised
Weight	1.4 kg	2.8 kg	2.8 kg	4.4 kg

ZARGES GmbH Zargesstraße 7 82362 Weilheim	Tel: +49 (0)881-687-100	www.zarges.com
	Fax: +49 (0)881-687-500	Effective 6/15/2026
	zarges@zarges.de	Subject to change or error.