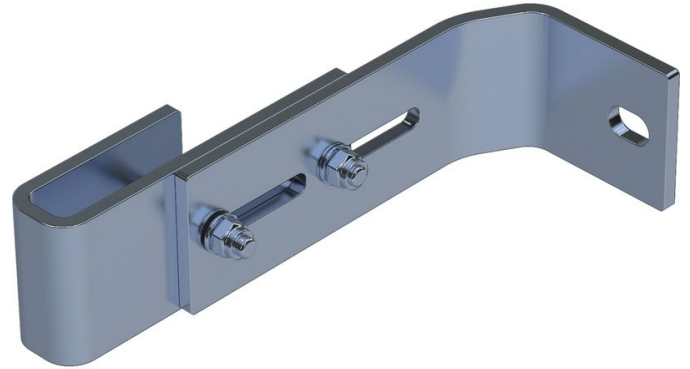


# Wall bracket, adjustable

## Product description

- Adjustable for wall clearances from 150 mm to 190 mm.
- 1 set = 2 pieces.



## Hints and special features

2 sets of wall brackets are required for ladders with 4–9 rungs, 3 sets of wall brackets for ladders with 10–15 rungs, 5 sets of wall brackets for ladders with 16–24 rungs.

1 set = 2 pieces (right/left).

Attachment materials (dowels etc.) are not included in the scope of delivery.

## Product features

Warranty	10 years
Weight	0.9 kg

## Product variants

	47314	47315	47316
Material	Galvanised steel	stainless steel	stainless steel
Suitable for	Steel ladder	V4A ladder	GRP ladder

<b>ZARGES GmbH</b> Zargesstraße 7 82362 Weilheim	Tel: +49 (0)881-687-100	www.zarges.com
	Fax: +49 (0)881-687-500	Effective 6/28/2026
	zarges@zarges.de	Subject to change or error.