

# Wall bracket, adjustable

## Product description

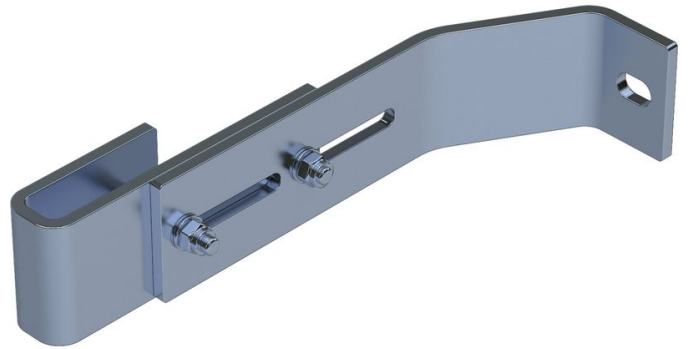
- Adjustable for stand-off 200 - 250 mm.
- 1 set = 2 pieces.

## Hints and special features

2 sets of wall brackets are required for ladders with 4–9 rungs, 3 sets of wall brackets for ladders with 10–15 rungs, 5 sets of wall brackets for ladders with 16–24 rungs.

1 set = 2 pieces (right/left).

Attachment materials (dowels etc.) are not included in the scope of delivery.



## Product features

Material	stainless steel
Warranty	10 years
Weight	1.6 kg

## Product variants

	47610	47611
Suitable for	V4A ladder	GRP ladder

ZARGES GmbH Zargesstraße 7 82362 Weilheim	Tel: +49 (0)881-687-100 Fax: +49 (0)881-687-500 zarges@zarges.de	www.zarges.com Effective 5/31/2026 Subject to change or error.
---	--	--