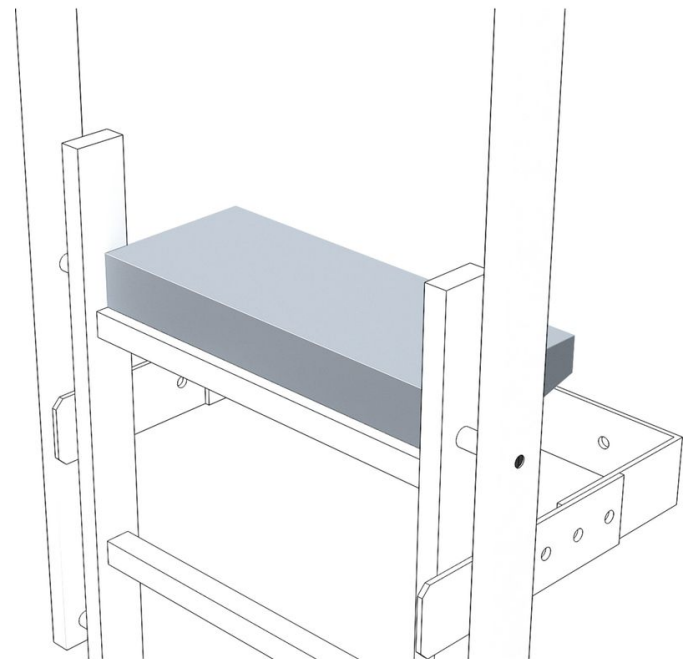




# Exit step - 40945

## Product description

- For extending the area of the top rung.
- Tread depth: 150 mm to 200 mm.



## Product features

Depth	150 mm
Material	aluminium
Warranty	10 years
Weight	1.4 kg

ZARGES (U.K.) Ltd.

8 Holdom Avenue. Saxon Park Ind. Est.

Bletchley MK1 1QU

Tel: 01908 641118

Fax:  
[sales@zarges.co.uk](mailto:sales@zarges.co.uk)

[www.zarges.com/uk](http://www.zarges.com/uk)

Effective 3/5/2026  
 Subject to change or error.