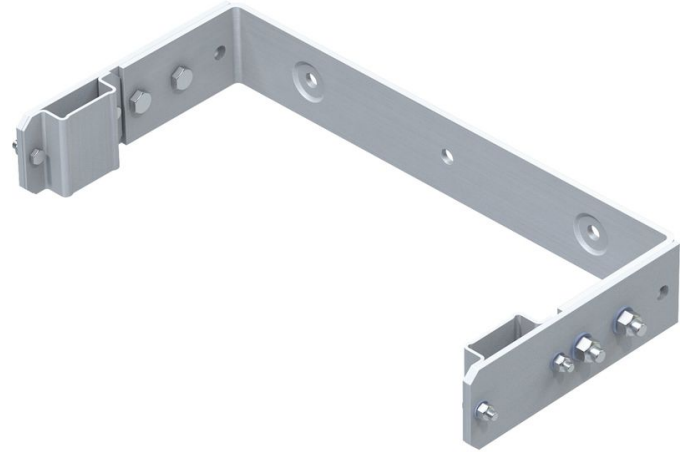




# Wall bracket, U-shaped, adjustable - 43258

## Product description

- Wall clearance can be adjusted from 200 to 250 mm.
- Hole spacing: 332 mm.
- Overall width of bar: 532 mm.



## Product features

Material	Galvanised steel
Warranty	10 years
Weight	5.9 kg

ZARGES (U.K.) Ltd.

8 Holdom Avenue. Saxon Park Ind. Est.

Bletchley MK1 1QU

Tel: 01908 641118

Fax:  
[sales@zarges.co.uk](mailto:sales@zarges.co.uk)

[www.zarges.com/uk](http://www.zarges.com/uk)

Effective 14/5/2026  
Subject to change or error.