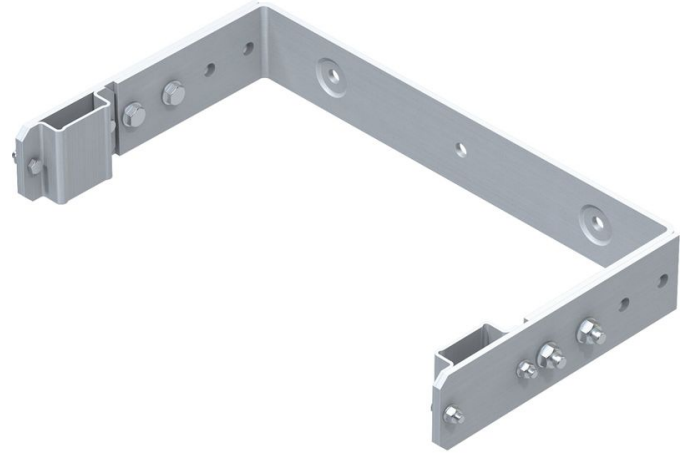




# Wall bracket, U-shaped, adjustable - 43259

## Product description

- Wall clearance can be adjusted from 250 to 350 mm.
- Hole spacing: 332 mm.
- Overall width of bar: 532 mm.



## Product features

Material	Galvanised steel
Warranty	10 years
Weight	6.6 kg

ZARGES (U.K.) Ltd.

Blackwater Trading Estate, The Causeway  
CM9 4LJ Maldon, Essex

Tel: 01908 641118

Fax:  
sales@zarges.co.uk

[www.zarges.com/uk](http://www.zarges.com/uk)

Effective 28/6/2026  
Subject to change or error.