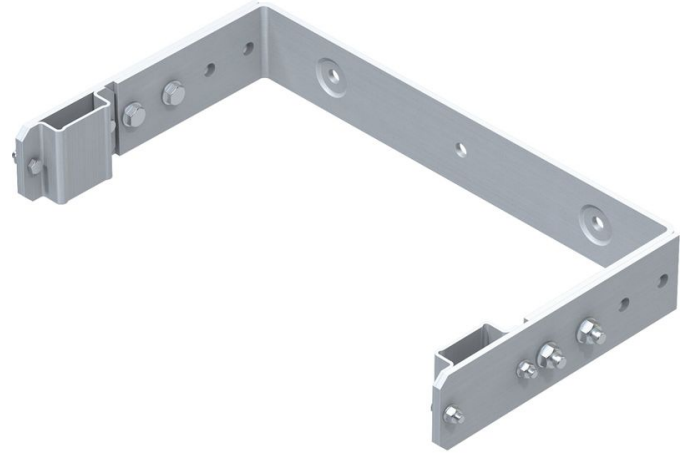




Wall bracket, U-shaped, adjustable - 44259

Product description

- Wall clearance can be adjusted from 250 to 350 mm.
- Hole spacing: 332 mm.
- Overall width of bar: 532 mm.



Product features

Material	stainless steel
Warranty	10 years
Weight	6.6 kg

ZARGES (U.K.) Ltd.

Blackwater Trading Estate, The Causeway
CM9 4LJ Maldon, Essex

Tel: 01908 641118

Fax:
sales@zarges.co.uk

www.zarges.com/uk

Effective 29/6/2026
Subject to change or error.