



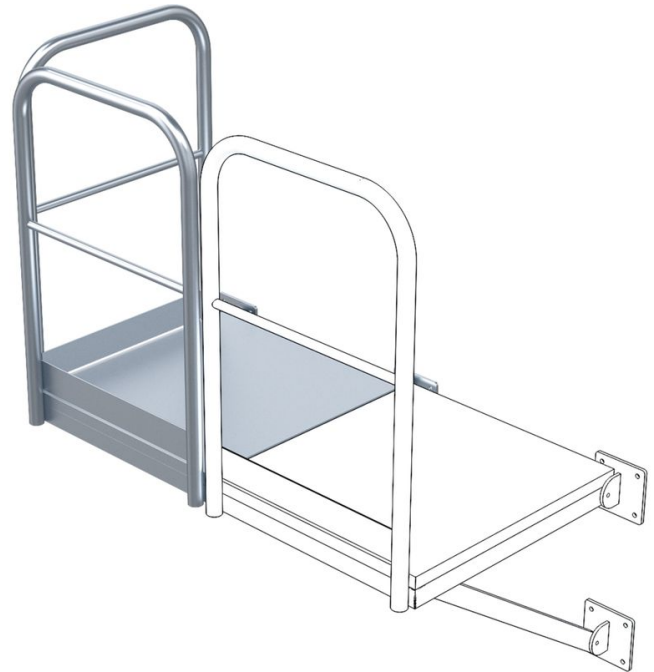
# Exit platform - 44325

## Product description

- Open grid surface and 2 wall brackets.
- Guardrail on one side and at one end.
- Surface load 4 kN/m<sup>2</sup>.
- Single-point load: 2 kN.

## Hints and special features

For side entry to / exit from the fixed ladder. Can be used to the left or right of the fixed ladder.



## Product features

Depth	1000 mm
Material	stainless steel
Size W x D	940mm × 1.000mm
Weight	86 kg
Width	940 mm

ZARGES (U.K.) Ltd.

Blackwater Trading Estate, The Causeway  
 CM9 4LJ Maldon, Essex

Tel: 01908 641118

Fax:  
[sales@zarges.co.uk](mailto:sales@zarges.co.uk)

[www.zarges.com/uk](http://www.zarges.com/uk)

Effective 17/6/2026  
 Subject to change or error.