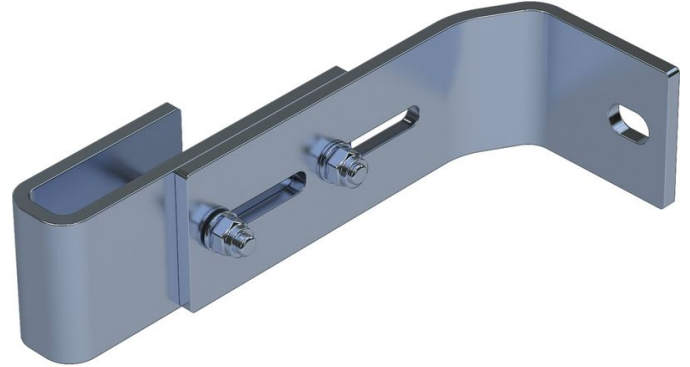




# Wall bracket, adjustable - 47315

## Product description

- Wall clearance can be adjusted from 150 mm to 190 mm.
- 1 set = 2 pcs.



## Hints and special features

2 sets of wall brackets are required for ladders with 4-9 rungs, 3 sets of wall brackets for ladders with 10-15 rungs, 5 sets of wall brackets for ladders with 16-24 rungs.

1 set = 2 pcs. (right/left).

Attachment materials (dowels etc.) are not included in the scope of delivery.

## Product features

Material	stainless steel
Suitable for	V4A ladder
Warranty	10 years
Weight	0.9 kg

ZARGES (U.K.) Ltd.

Blackwater Trading Estate, The Causeway  
 CM9 4LJ Maldon, Essex

Tel: 01908 641118

Fax:  
[sales@zarges.co.uk](mailto:sales@zarges.co.uk)

[www.zarges.com/uk](http://www.zarges.com/uk)

Effective 9/6/2026  
 Subject to change or error.