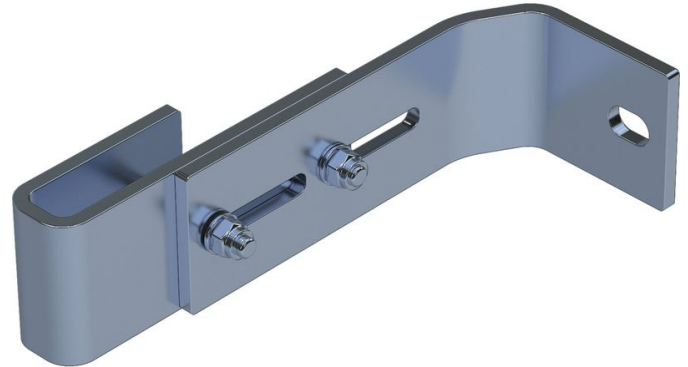




Wall bracket, adjustable - 47316

Product description

- Wall clearance can be adjusted from 150 mm to 190 mm.
- 1 set = 2 pcs.



Hints and special features

2 sets of wall brackets are required for ladders with 4-9 rungs, 3 sets of wall brackets for ladders with 10-15 rungs, 5 sets of wall brackets for ladders with 16-24 rungs.

1 set = 2 pcs. (right/left).

Attachment materials (dowels etc.) are not included in the scope of delivery.

Product features

Material	stainless steel
Suitable for	GRP ladder
Warranty	10 years
Weight	0.9 kg

ZARGES (U.K.) Ltd.

Blackwater Trading Estate, The Causeway
 CM9 4LJ Maldon, Essex

Tel: 01908 641118

Fax:
sales@zarges.co.uk

www.zarges.com/uk

Effective 28/6/2026
 Subject to change or error.