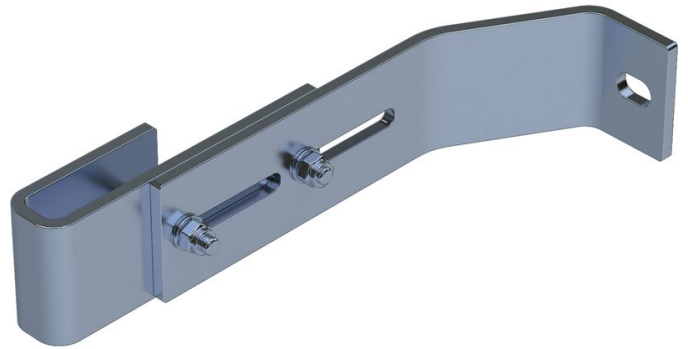




Wall bracket, adjustable - 47610

Product description

- Wall clearance can be adjusted from 200 to 250 mm.
- 1 set = 2 pcs.



Hints and special features

2 sets of wall brackets are required for ladders with 4-9 rungs, 3 sets of wall brackets for ladders with 10-15 rungs, 5 sets of wall brackets for ladders with 16-24 rungs.

1 set = 2 pcs. (right/left).

Attachment materials (dowels etc.) are not included in the scope of delivery.

Product features

Material	Stainless steel
Suitable for	V4A ladder
Warranty	10 years
Weight	1.6 kg

ZARGES (U.K.) Ltd.

8 Holdom Avenue, Saxon Park Ind. Est.

Bletchley MK1 1QU

Tel: 01908 641118

Fax:
sales@zarges.co.uk

www.zarges.com/uk

Effective 2/4/2026
 Subject to change or error.