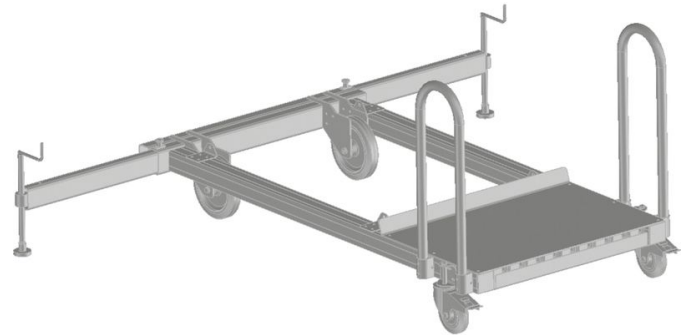




# Mandatory module - chassis - 591011

## Product description

- Two versions available, with sliding handles:
- Standard chassis with fixed-length stabiliser.  
Equipped with 2 swivel and 2 fixed castors with brake for mobility.
- Chassis with extendable stabilisers and adjustable foot plates (adjustment range 200 mm) for optimal stability and levelling out on uneven ground.  
Equipped with 2 swivel and 2 fixed castors with brake for mobility.



## Product features

Transport dimensions	2.370 mm × 1.200 mm × 1.025 mm
Version	Chassis with an extendable, swiveling crossbar
Weight	279.6 kg

ZARGES (U.K.) Ltd.

8 Holdom Avenue, Saxon Park Ind. Est.

Bletchley MK1 1QU

Tel: 01908 641118

Fax:

[sales@zarges.co.uk](mailto:sales@zarges.co.uk)

[www.zarges.com/uk](http://www.zarges.com/uk)

Effective 13/5/2026

Subject to change or error.