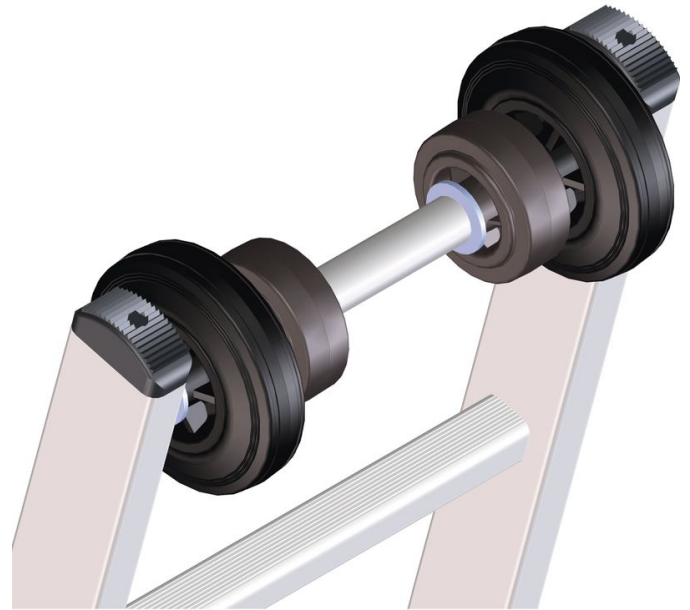




Mast wheel assembly - 8505

Product description

- Compatible with single, push-up and rope-operated ladders. For equipping a ladder with wheels especially designed for leaning on poles to allow for easy positioning and set-up. Compatible with poles with a diameter of 150 mm to 400 mm.



Hints and special features

To meet your specific requirements, we offer a range of optional accessories which we professionally fit on your ladder during series production.

When ordering, state the article numbers for both the ladder and the optional special equipment.

Product features

Description	Mast wheel assembly for aluminium ladders	
Warranty	Missing translation	
ZARGES (U.K.) Ltd. Blackwater Trading Estate, The Causeway CM9 4LJ Maldon, Essex	Tel: 01908 641118 Fax: sales@zarges.co.uk	www.zarges.com/uk Effective 30/6/2026 Subject to change or error.