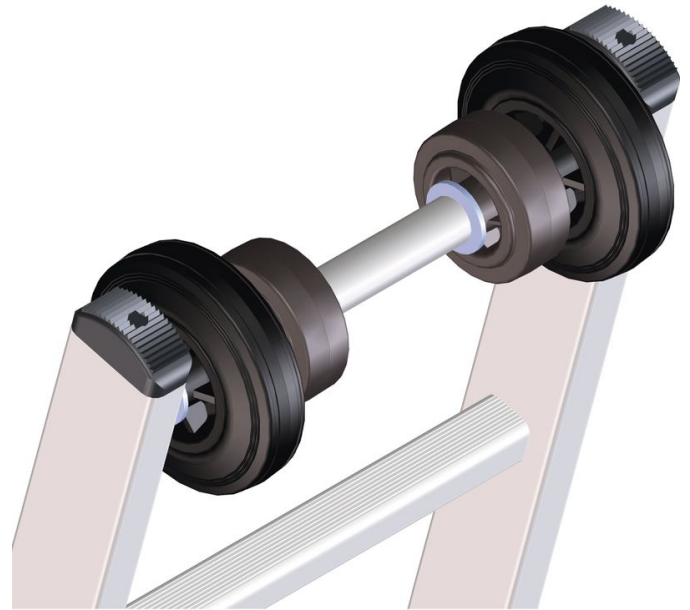




# Mast wheel assembly - 8506

## Product description

- Compatible with single, push-up and rope-operated ladders. For equipping a ladder with wheels especially designed for leaning on poles to allow for easy positioning and set-up. Compatible with poles with a diameter of 150 mm to 400 mm.



## Hints and special features

To meet your specific requirements, we offer a range of optional accessories which we professionally fit on your ladder during series production.

When ordering, state the article numbers for both the ladder and the optional special equipment.

## Product features

Description	Mast wheel assembly for plastic ladders	
Warranty	Missing translation	
ZARGES (U.K.) Ltd. Blackwater Trading Estate, The Causeway CM9 4LJ Maldon, Essex	Tel: 01908 641118 Fax: sales@zarges.co.uk	www.zarges.com/uk Effective 30/6/2026 Subject to change or error.