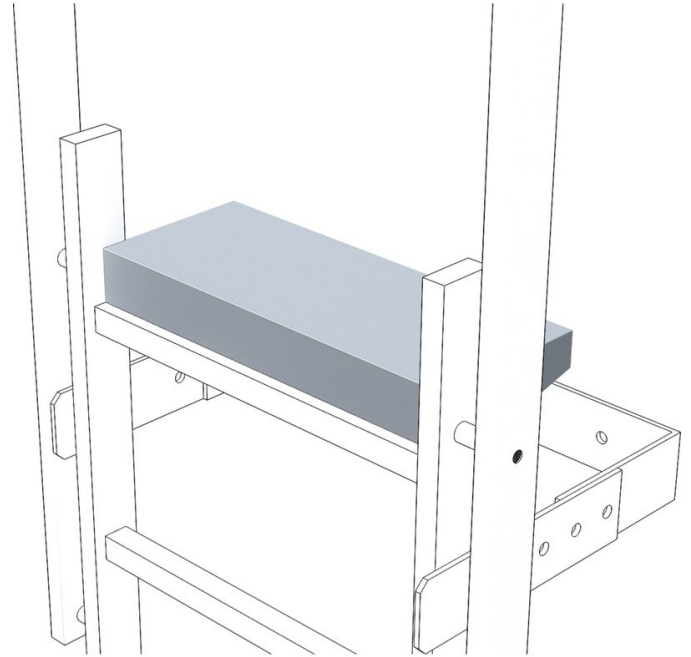




Exit step

Product description

- For extending the area of the top rung.
- Step width: 470 mm.
- Tread depth: 150 mm to 200 mm.



Product features

Warranty	10 years
----------	----------

Product variants

	40945	43284	44254	43285
Depth	150 mm	150 mm	150 mm	200 mm
Material	aluminium	Steel, galvanised	stainless steel	Steel, galvanised
Weight	1.4 kg	2.8 kg	2.8 kg	4.4 kg

ZARGES (U.K.) Ltd. Blackwater Trading Estate, The Causeway CM9 4LJ Maldon, Essex	Tel: 01908 641118	www.zarges.com/uk
	Fax:	Effective 15/6/2026
	sales@zarges.co.uk	Subject to change or error.