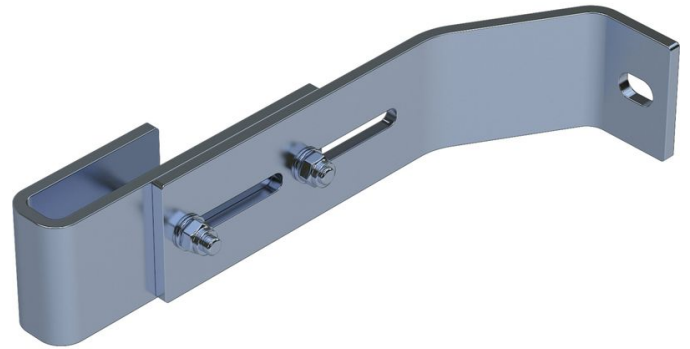




# Wall bracket, adjustable

## Product description

- Wall clearance can be adjusted from 200 to 250 mm.
- 1 set = 2 pcs.



## Hints and special features

2 sets of wall brackets are required for ladders with 4-9 rungs, 3 sets of wall brackets for ladders with 10-15 rungs, 5 sets of wall brackets for ladders with 16-24 rungs.

1 set = 2 pcs. (right/left).

Attachment materials (dowels etc.) are not included in the scope of delivery.

## Product features

Material	stainless steel
Warranty	10 years
Weight	1.6 kg

## Product variants

	47610	47611
Suitable for	V4A ladder	GRP ladder

<p>ZARGES (U.K.) Ltd.</p> <p>Blackwater Trading Estate, The Causeway</p> <p>CM9 4LJ Maldon, Essex</p>	<p>Tel: 01908 641118</p> <p>Fax:</p> <p>sales@zarges.co.uk</p>	<p>www.zarges.com/uk</p> <p>Effective 30/6/2026</p> <p>Subject to change or error.</p>
---	--	--